



File Name: compaq nx6110 service manual.pdf

Size: 1591 KB

Type: PDF, ePub, eBook

Category: Book

Uploaded: 27 May 2019, 23:42 PM

Rating: 4.6/5 from 835 votes.

Status: AVAILABLE

Last checked: 8 Minutes ago!

In order to read or download compaq nx6110 service manual ebook, you need to create a FREE account.

[**Download Now!**](#)

eBook includes PDF, ePub and Kindle version

[Register a free 1 month Trial Account.](#)

[Download as many books as you like \(Personal use\)](#)

[Cancel the membership at any time if not satisfied.](#)

[Join Over 80000 Happy Readers](#)

Book Descriptions:

We have made it easy for you to find a PDF Ebooks without any digging. And by having access to our ebooks online or by storing it on your computer, you have convenient answers with compaq nx6110 service manual . To get started finding compaq nx6110 service manual , you are right to find our website which has a comprehensive collection of manuals listed.

Our library is the biggest of these that have literally hundreds of thousands of different products represented.



Book Descriptions:

compaq nx6110 service manual



Guide. Document Part Number 373146002. September 2005. Microsoft and Windows are U.S. registered trademarks of Microsoft. Corporation. Intel, Pentium, and. Page 3 Contents ContentsPage 13 Product DescriptionItem Component Function. Page 14 Product DescriptionItem Component FunctionPage 16 Product DescriptionItem Component FunctionItem Component FunctionPage 20 Product DescriptionPage 21 Product DescriptionItem Component FunctionPage 22 Product DescriptionItem Component Function. Page 24 Product DescriptionItem Component FunctionPage 26 Product DescriptionItem Component FunctionPage 28 Product DescriptionPage 30 TroubleshootingSelecting from the Security MenuSelect To Do This. Administrator Password Enter, change, or. Page 32 Troubleshooting. Selecting from the Advanced MenuSelect To Do This. Language Change the Computer Setup language. Page 33 TroubleshootingFlowchart DescriptionFlowchart DescriptionFlowchart 2.1—Initial TroubleshootingFlowchart 2.2—No Power, Part 1Flowchart 2.3—No Power, Part 2Flowchart 2.4—No Power, Part 3Flowchart 2.5—No Power, Part 4Flowchart 2.6—No Video, Part 1Page 41 Troubleshooting. Flowchart 2.7—No Video, Part 2Flowchart 2.8—Nonfunctioning Docking DeviceFlowchart 2.9—No Operating System OS. LoadingFlowchart 2.10—No OS Loading, Hard Drive. Part 1Page 45 Troubleshooting. Flowchart 2.11—No OS Loading, Hard Drive. Part 2Hard Drive, Part. Page 46 Troubleshooting. Flowchart 2.12—No OS Loading, Hard Drive. Part 3Hard Drive, Part 2."Flowchart 2.13—No OS Loading, Diskette DriveFlowchart 2.14—No OS Loading, Optical DriveFlowchart 2.15—No Audio, Part 1Flowchart 2.16—No Audio, Part 2Flowchart 2.17—Nonfunctioning DevicePage 52 Troubleshooting. Flowchart 2.18—Nonfunctioning KeyboardFlowchart 2.19—Nonfunctioning Pointing.<http://chinathermalspraying.com/uploads/files/1602247622.xml>

- **compaq nx6110 service manual, hp compaq nx6110 service manual pdf, hp compaq nx6110 service manual, hp compaq nx6110 service repair manual, compaq nx6110 service manual, compaq nx6110 service manual download, compaq nx6110 service manual pdf, compaq nx6110 service manual free, compaq nx6110 service manual 2017.**



**Maintenance and Service
Guide**

HP Compaq nx6110/nc6110 and
nx6120/nc6120 Notebook PCs

Document Part Number: 373146-001

February 2005

This guide is a troubleshooting reference used for maintaining and servicing the notebook. It provides comprehensive information on identifying notebook features, components, and spare parts; troubleshooting notebook problems; and performing notebook disassembly procedures.

DeviceConnectionPage 55 Software Updates and Recovery 3Accessing Computer
InformationObtaining the Support Software CDDownloading a ROM UpdateInstalling a ROM
UpdateDownloading Other SoftwarePage 62 Software Updates and RecoveryPage 63 Software
Updates and RecoveryPage 64 Software Updates and Recovery. Creating a System Restore
PointPage 65 Software Updates and Recovery. Reinstalling ApplicationsPage 66 Software Updates
and Recovery. Reinstalling Applications from DiscsPage 67 Software Updates and
RecoveryReinstalling the Operating SystemPage 70 Software Updates and Recovery. Reinstalling
Device Drivers and Other. SoftwareItem Description NumberPage 74 Illustrated Parts CatalogItem
Description NumberPage 76 Illustrated Parts CatalogItem Description NumberPage 78 Illustrated
Parts CatalogItem Description NumberItem Description NumberItem Description NumberItem
DescriptionNumberDescription NumberDescription Number. Screw Kit includes.
Page 90 Illustrated Parts CatalogDescription Number. Power cords. For use. Page 91 Illustrated
Parts CatalogSpare Part. Number DescriptionPage 93 Illustrated Parts CatalogSpare Part. Number
Description. Page 94 Illustrated Parts CatalogSpare Part. Number DescriptionPage 96 Illustrated
Parts CatalogPage 97 Illustrated Parts CatalogSpare Part. Number DescriptionPage 99 Removal and
Replacement Preliminaries 5Page 101 Removal and Replacement PreliminariesPage 102 Removal
and Replacement PreliminariesPage 103 Removal and Replacement PreliminariesPage 104 Removal
and Replacement PreliminariesPage 105 Removal and Replacement PreliminariesPage 108 Removal
and Replacement ProceduresPage 112 Removal and Replacement ProceduresPage 115 Removal and
Replacement ProceduresThe feet areBroadcomm Bluetooth wireless board includes Bluetooth
367871001. Page 117 Removal and Replacement ProceduresPage 122 Removal and Replacement
ProceduresPage 124 Removal and Replacement ProceduresFor use with computer models with Dual
Stick Pointing.<http://favour-europe.com/attachment/excalibur-remote-start-manual.xml>



**Maintenance and Service
Guide**

HP Compaq nx6110/nc6110 and
nx6120/nc6120 Notebook PCs

Document Part Number: 373146-001

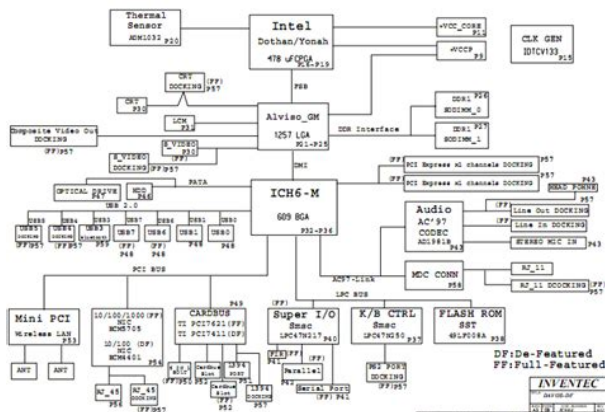
February 2005

This guide is a troubleshooting reference used for maintaining and servicing the notebook. It provides comprehensive information on identifying notebook features, components, and spare parts; troubleshooting notebook problems; and performing notebook disassembly procedures.

Page 125 Removal and Replacement Procedures For use with computer models with TouchPad only pointing. Page 126 Removal and Replacement Procedures Page 130 Removal and Replacement Procedures Switch covers. For use with full featured models. Page 131 Removal and Replacement Procedures Page 132 Removal and Replacement Procedures Page 133 Removal and Replacement Procedures Fan 378233001 Page 135 Removal and Replacement Procedures Heat sink includes thermal paste 379799001. Page 136 Removal and Replacement Procedures Intel Pentium M 2.13GHz 378224001. Intel Pentium M 2.00GHz. Page 137 Removal and Replacement Procedures Page 138 Removal and Replacement Procedures Modem board 325521001 Page 139 Removal and Replacement Procedures Page 144 Removal and Replacement Procedures Page 145 Removal and Replacement Procedures Top cover include TouchPad. For use. Page 146 Removal and Replacement Procedures Speaker 378237001 Page 150 Removal and Replacement Procedures Page 151 Removal and Replacement Procedures Page 152 Removal and Replacement Procedures Page 153 Removal and Replacement Procedures Page 154 Removal and Replacement Procedures Page 155 Removal and Replacement Procedures Page 156 Removal and Replacement Procedures For use with full featured models 378225001. For. Page 157 Removal and Replacement Procedures Page 159 Removal and Replacement Procedures Page 160 Removal and Replacement Procedures Page 161 Removal and Replacement Procedures Page 162 Removal and Replacement Procedures Dimensions Metric U.S. Relative humidity noncondensing Page 165 Specifications Dimensions Dimensions Dimensions Dimensions Dimensions Dimensions Dimensions Applicable disc DVDROM DVD5, DVD9, DVD10, DVD18 Applicable disc Read Write Disc thickness 1.2 mm 0.047 in. Access time. Page 174 Specifications Applicable disc Read Write Disc thickness 1.2 mm 0.047 in Applicable disc CDROM Mode 1 and 2 Page 177 Specifications Access time CD media DVD media Hardware DMA System Function. DMA0 Not applicable. DMA3 Not. Page 179 Specifications Hardware IRQ System Function.

IRQ0 System timer. Page 180 Specifications IRQ11 Intel USB EHCI controller—24CD Page 182 Specifications Size Memory Address System Function Page 185 Connector Pin Assignments A Pin Signal Pin Signal Page 186 Connector Pin Assignments Pin Signal Pin Signal Pin Signal Pin Signal Pin Signal Pin Signal Pin Signal Pin Signal Pin Signal Pin Signal Pin Signal Page 194 Power Cord Set Requirements. General Requirements Page 195 Power Cord Set Requirements.

CountrySpecific RequirementsAustralia EANSW. Page 196 Power Cord Set RequirementsKorea EK 4. The. Page 197 Screw Listing CPage 198 Screw ListingPhillips PM2.513.0 Springloaded Hard Drive Retention ScrewPhillips PM2.54.0 Shoulder Screw, Phillips PM2.54.0 Screw, Caution should bePage 218 Display Component RecyclingPage 219 Display Component RecyclingPage 220 Display Component RecyclingPage 226 Display Component RecyclingCaution should bePage 228 Display Component RecyclingPage 229 Display Component RecyclingPage 231 Index. Page 233 Index. Page 235 IndexPage 237 Index. Please do not offer the downloaded file for sell only use it for personal usage. Looking for other manual For this no need registration. May be help you to repair. You could suffer a fatal electrical shock. Instead, contact your nearest service center. Note! To open downloaded files you need acrobat reader or similar pdf reader program. In addition, Also some files are djvu so you need djvu viewer to open them. These free programs can be found on this page needed progs If you use opera you have to disable opera turbo function to download file. If you cannot download this file, try it with CHROME or FIREFOX browser. Translate this page Relevant NOTEBOOKPC forum topics HP Compact d530 usdt. Sziasztok. Uraim kerlek titeket segitsetek nekem. Hoztak egy PCT HP Compact d530 usdt ami megfelelo felszereltsegu kiveve a VGAt az alaplapi,es szeretnek kartyat belerakni de.

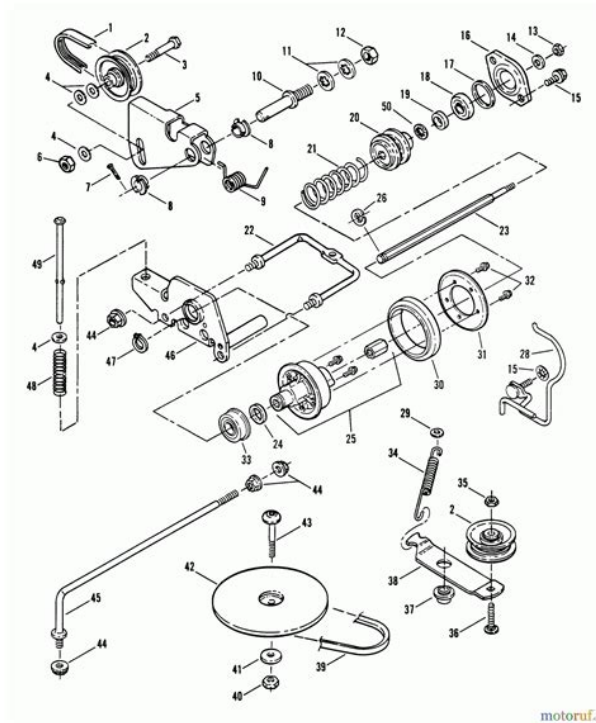


<http://www.bosport.be/newsletter/boss-chromatic-tuner-tu-12h-manual>

Szoval szeretnek egy olyan VGA kartyat amit a feher PCI foglalatba belemegy es hogy meg bonyolitsam a helyzetet a hely szuke miatt nem fer bele amit talaltam mert kb. 3cm hosszabb a kari. A faszek merete 137.5 x 95 mm a kepen lathatjatok hogy mi a kritikus resz az aljzat hatso vege es a faszek hatso fala kozott 13.5 mm a hely. A kerdesem hogy tudnatok olyan karit ajanlani ami PCIbe valo es beleferne a gepbe.Varom a valaszotokat! Sziasztok.A cimben is említett HP Spectre Ultrabook 143210NR kijelzoben, a vedo uveglap es az LCD kozott levegobuborekok jelentek meg. A buborekok az LCD szelen jottek elo, tobb helyen, korben. Hogyan lehet ezt szakszeruen megjavitani ha lehet kijelzocsere nelkul. Talalkozott mar valaki ilyen hibaval KosziMelyik verzio alkalmas arra, hogy a teljes tartalmat letoltse, es hangot is rogzitsen A gepen van Adobe Flash player, JavaScript, es minden elkepzelheto. Mivel a Firefox 10.0 a legmagasabb verzio, amiben a fejlesztok meghagytak a program fulek alulra helyezesenek lehetoseget, ezt nem frissitem, meg azon az aron sem, ha a futtatando fajlok zomejlo a 10.0 verzio nem kompatibilis. Azert ne egy nyuves program mondja mar meg, hogy a felhasznalo milyen bongeszot hasznaljon. A talca duplazodas a gyors inditas bejelolesekor tovabbra is fennall. Tisztelettel es udvozlettel multifilter HP DV6000 nem indul Kaptam egy ilyen gepet hogy csinajlak vele amit akarok. Szeretnem talpra tenni. A tap ic a meleg mint allat, nem is az a kerdes. A lenyeg hogy nyakon ontottek koloval. Mivel lehet eltavolitani a ragacsot hatekonyan. Donor vga hibas lapot delutan elvileg kapok. Similar manuals You can write in English language into the forum not only in Hungarian. September 2005. We have 19 HP Compaq nx6110 manuals available for free PDF download Hardware And Software Manual, Maintenance And Service

Manual, User Manual. View and Download HP Compaq nx6110 specifications online. HewlettPackard Notebook PC QuickSpecs.

<https://danceofcyprus.com/images/cas-user-manual-pdf.pdf>



Od bardzo dawna marzyłem o posiadaniu przenośnego komputera. Wolność praca bez podłączonego. Reload to refresh your session. Reload to refresh your session. View online or download Hp Compaq nx6110 User Manual, Specification sir, I m not able to find compaq nx6110 video controller drivers for window 7 plz help me how long to do phd the oracle game. Bluetooth is a trademark owned by its proprietor and used by HewlettPackard Company under license. The information contained herein is subject to change without notice. The only warranties for HP products Audioin microphone. Universal Serial Bus USB v. 2.0 4 ports on fullfeatured notebook models, 2 ports on defeatured notebook models. Power External monitor RJ11 modem RJ45 network IEEE 1394 Travel battery Infrared fullfeatured models only. Digital Media Slot fullfeatured models only. Parallel port fullfeatured models only. SVideoout fullfeatured models only. Docking connector fullfeatured Do not reinsert any battery packs at this time. 6. Turn on the notebook. All passwords and all CMOS settings have been cleared. 1.3 Power Management The notebook comes with power management features that extend battery operating time and conserve power.The MultiBay II must also be connected to an external power source. 2 External monitor port Connects an optional VGA external monitoTo prevent overheating, do not A obstruct vents. Do not allow a hard surface, such as a printer, or a soft surface, such as pillows, thick rugs, or clothing, to block airflow. 4 RJ11 modem jack Connects the modem cable. 5 RJ45 network jack Connects an optional network cable. 6 1394 port Connects an optional 1394a device such as a scanner,Security solutions are designed to A act as deterrents. These deterrents may not prevent a product from being mishandled or stolen. 2 Battery bay Holds a battery pack. 3 Power connector Connects an AC adapter or an optional automobile or aircraft adapter.

<http://hhwebshop.com/images/casa-essentials-5-quart-pressure-cooker-manual.pdf>



4 Parallel port Connects an optional parallel device, such fullfeatured models as an When combined with the fn key, several keys and buttons perform additional tasks as hotkeys. 2 caps lock key Enables caps lock and turns on the caps lock light. 3 fn key Executes frequently used system functions when pressed in combination with a function key or the esc key. 4 Windows logo key In Windows, displays the Windows Start menu. 5 Windows.

<https://totalyoumovement.com/wp-content/plugins/formcraft/file-upload/server/content/files/16284422b0e45d--buku-manual-vw-combi.pdf>

<http://www.diamondsinthemaking.com/content/boss-chromatic-tuner-tu-12h-manual>